

## Marine Filtration Technology Product Catalogue

Wave International Limited,  
Newton Way,  
Colsterworth,  
Grantham, NG33 5NP,  
United Kingdom.

T. +44 1476 861717  
info@waveinternational.co.uk



## Ordering Details

**Wavestream**<sup>TM</sup>

WMS	Wavestream Micro System
WS-CM	Wavestream Micro System Cartridge
WSS1	Wavestream System 1
WS-C1	Wavestream System 1 Cartridge
WSS2	Wavestream System 2
WS-C2	Wavestream System 2 Cartridge
WSS3	Wavestream System 3
WS-C3	Wavestream System 3 Cartridge

Effective control and prevention of oily bilge water discharge. The Wavestream cartridge uses a unique filter media removing the smallest trace of oil with a high oil retaining capacity.

Features & Information - [www.wavestream.co.uk](http://www.wavestream.co.uk)

- Wavestream is used in all types and size of craft, available in 4 sizes. Multiple cartridge and stainless steel systems also available.
- The Wavestream filter is simply installed in the system after the bilge pump ensuring only clean, oil free, bilge water is discharged overboard.
- Cartridge change out should be part of a regular maintenance schedule and changed at least once every season.
- Recommended pump head of 4 metres all systems
- Lloyds Register of Shipping Type Approved.



Install a new cartridge at the beginning of every season.

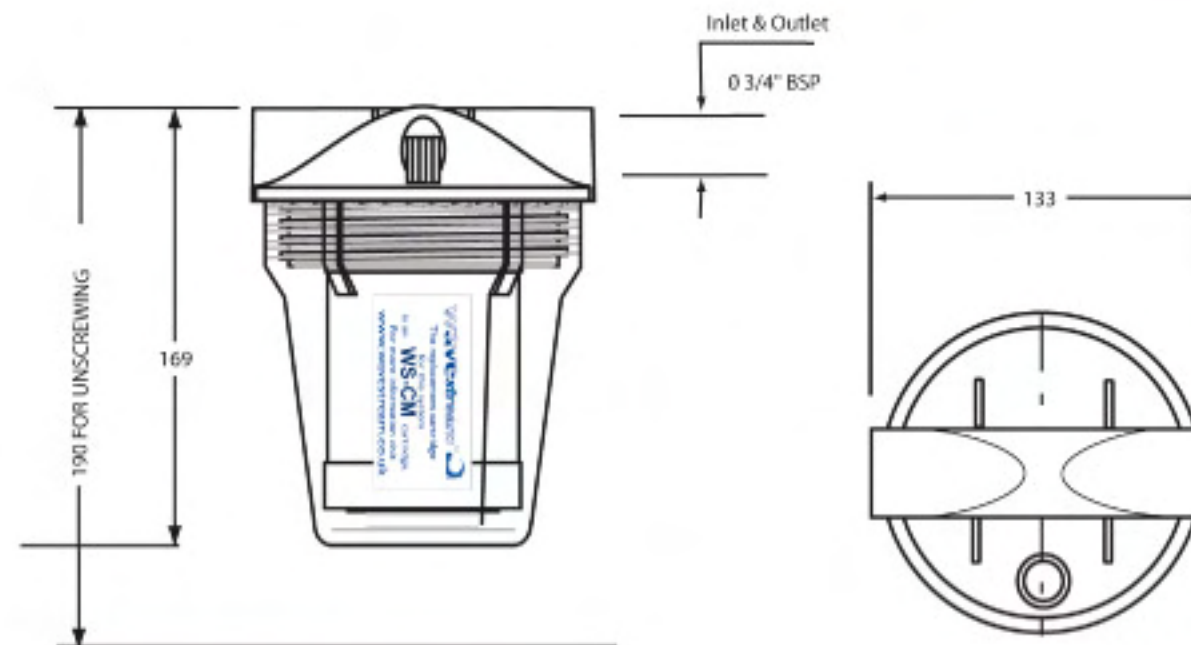
# Bilge Filter Systems - Wavestream



Wavestream Micro System

WMS

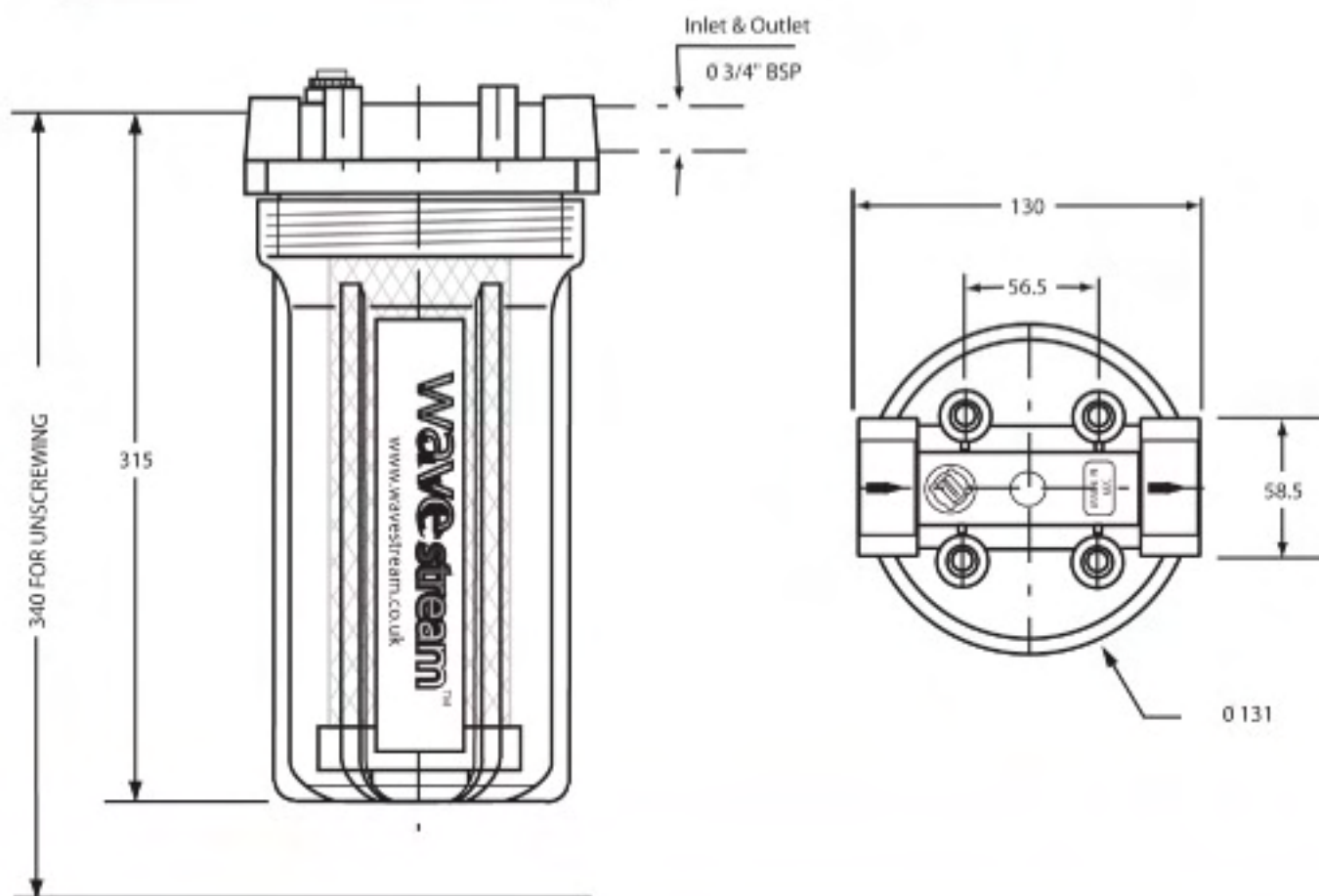
Flow Rate 1 - 40 Litres per minute  
Maximum Pressure 8 bar  
Maximum Temperature 40 deg. C.  
Minimum Temperature 1 deg. C  
Connection 3/4" BSP (3/4 NPT available)  
Cartridge WC-CM



Wavestream System 1

WSS1

Flow Rate 1 - 40 Litres per minute  
Maximum Pressure 6.2 bar  
Maximum Temperature 40 deg. C.  
Minimum Temperature 1 deg. C  
Connection 3/4" BSP  
Cartridge WS-C1

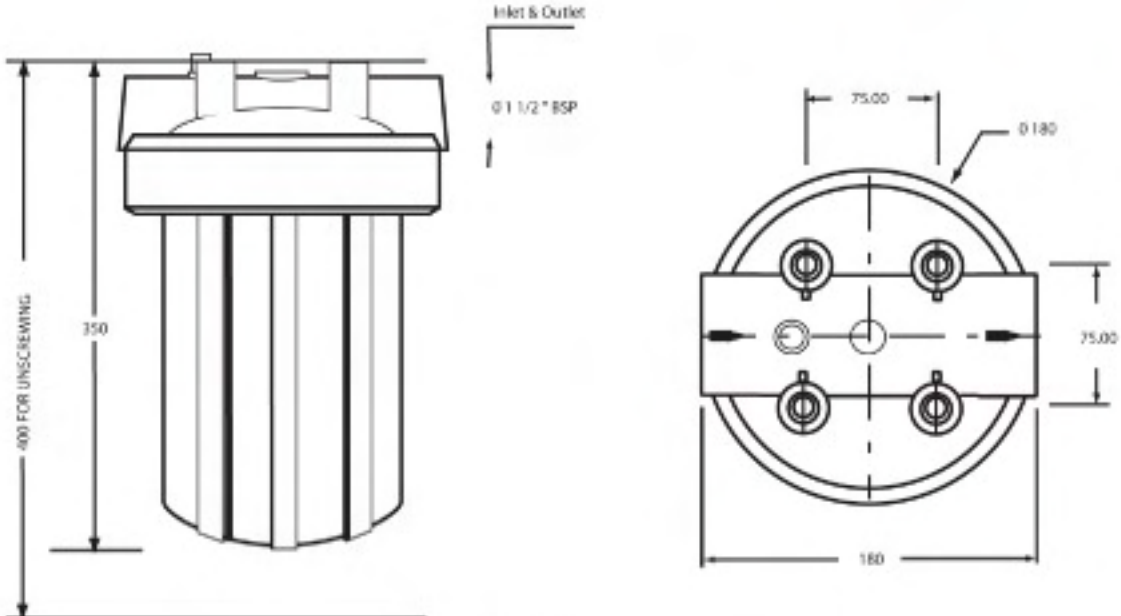




Wavestream System 2

WSS2

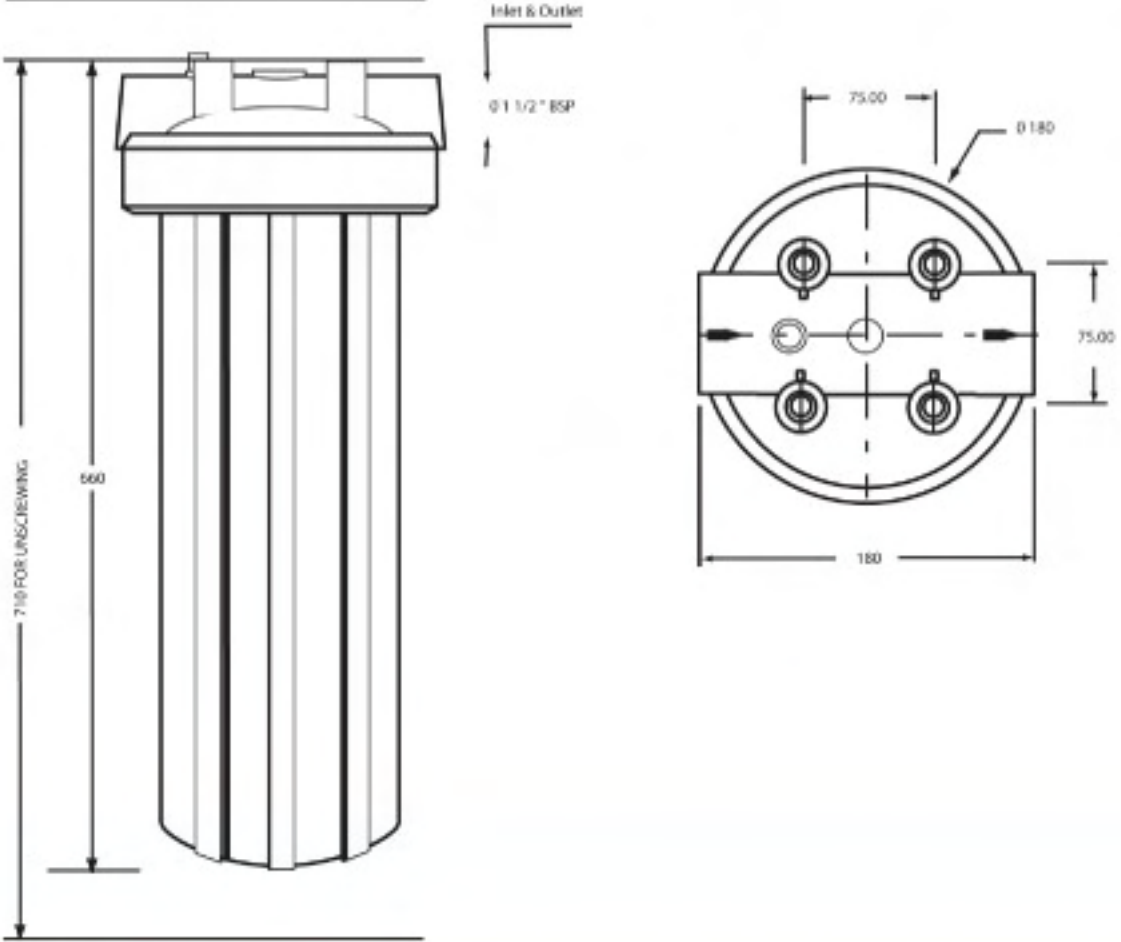
Flow Rate 1 - 265 Litres per minute  
 Maximum Pressure 6.8 bar  
 Maximum Temperature 37 deg. C.  
 Minimum Temperature 1 deg. C  
 Connection 1 1/2" BSP  
 Cartridge WC-C2



Wavestream System 3

WSS3

Flow Rate 1 - 265 Litres per minute  
 Maximum Pressure 6.2 bar  
 Maximum Temperature 37 deg. C.  
 Minimum Temperature 1 deg. C  
 Connection 1 1/2" BSP  
 Cartridge WS-C3





Install a new cartridge at the beginning of every season.

### Ordering Details



WMSFP	Wavestream Micro Filter System+Pump with Whale Orca Bilge Pump 1300 1300 US GPH (66 L/min.) 12 volt.
WS-CM	Wavestream Micro System Cartridge
WSS1FP	Wavestream Filter System 1+Pump with Whale Orca Bilge Pump 1300 1300 US GPH (66 L/min.) 12 volt.
WS-C1	Wavestream System 1 Cartridge
WSS2FP	Wavestream Filter System 2+Pump with Whale Orca Bilge Pump 2000 2000 US GPH (126 L/min.) 12 volt.
WS-C2	Wavestream System 2 Cartridge
WSS3FP	Wavestream Filter System 3+Pump with Whale Orca Bilge Pump 3000 3000 US GPH (189 L/min.) 12 volt.
WS-C3	Wavestream System 3 Cartridge

The premier Wavestream FP now available, with a compact and powerful Whale ORCA bilge pump to ensure the very best, clean bilge water pumping system.

Features & Information - [www.wavesteam.co.uk](http://www.wavesteam.co.uk)

- Wavestream is used in all types and size of craft, available in 4 sizes. matched to 3 models of the Whale ORCA Pump.
- All the pumps supplied meet the recommended pump head of at least 4 metres.
- The Wavestream filter is simply installed after the ORCA bilge pump supplied ensuring only clean, oil free, bilge water is discharged overboard.
- Cartridge change out should be part of a regular maintenance schedule and changed at least once every season.
- Wavestream filter systems are Lloyds Register of Shipping Type Approved, Whale pumps comply with all relevant European directives and standards.

## Bilge Filter System+Pump - Wavestream FP



## Ordering Details **Wavestream**<sup>TM</sup>

WMBOSS 24V	Wave MiniBOSS System 0.25 M <sup>3</sup> /hr.
WMBOSS 110 - 240V	Wave MiniBOSS System 0.50 M <sup>3</sup> /hr.
WS-C3	Wavestream System 3 Cartridge
WSWP5P20	Pre-filter Cartridge

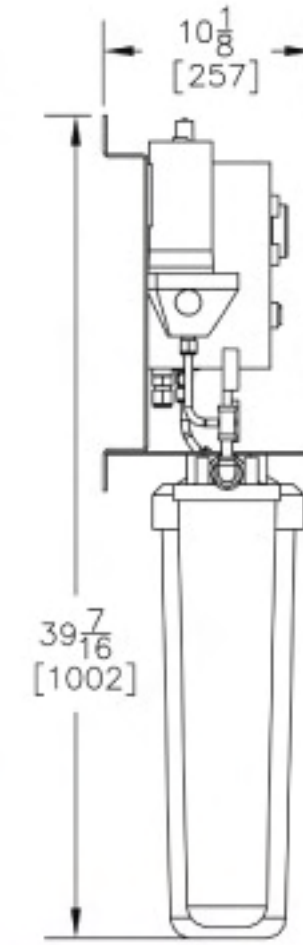
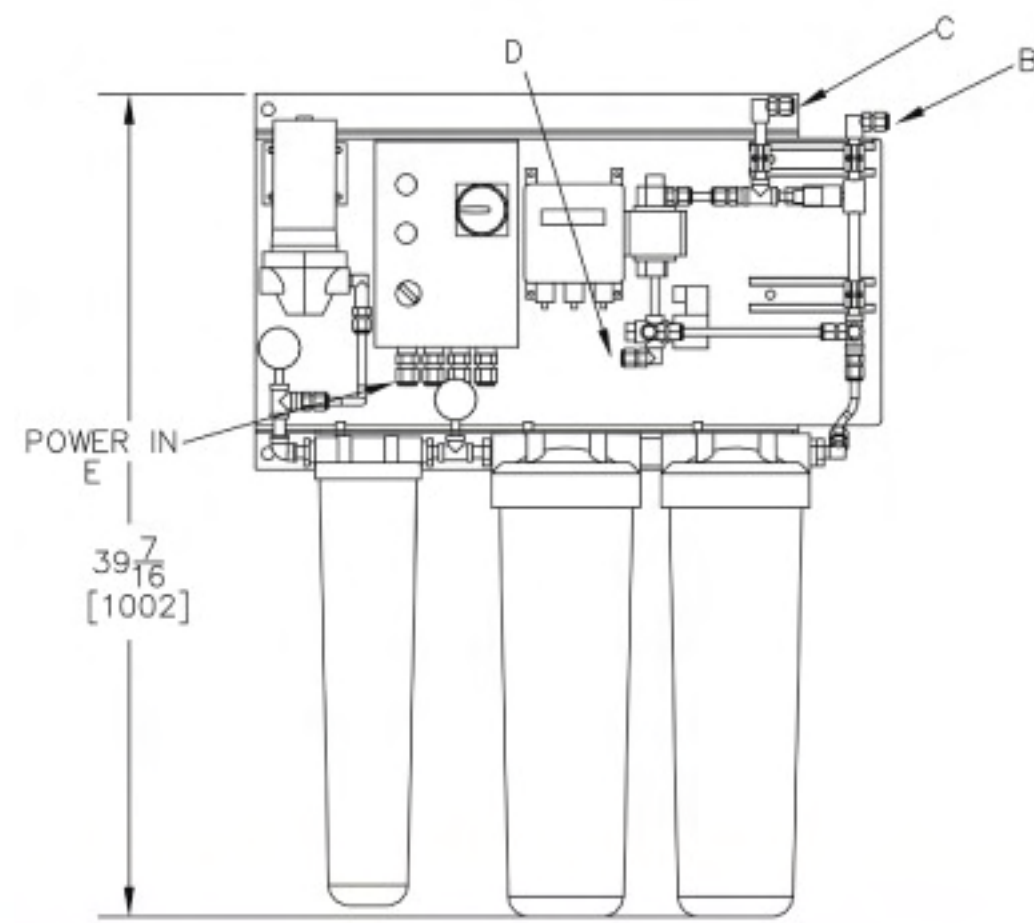
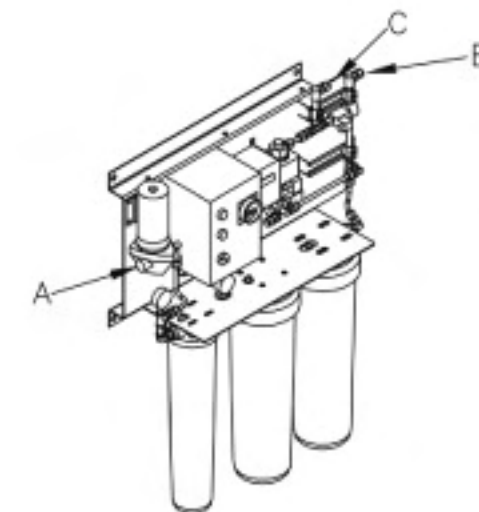
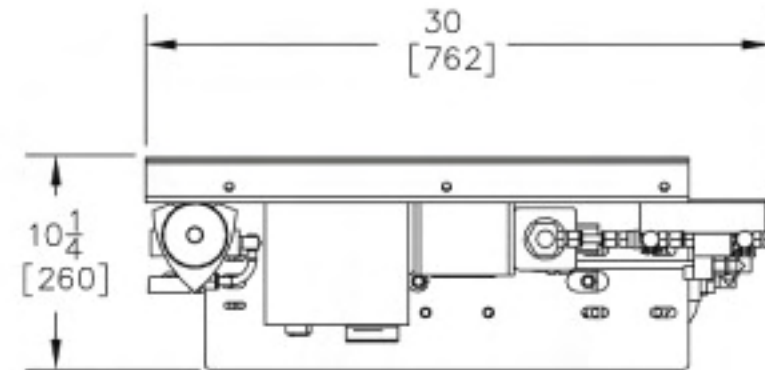
**MEPC 107(49) certified bilge filter system giving effective control and prevention of oily bilge water discharge using Wavestream System 3 filters.**

- MiniBOSS from with Wavestream oil removing technology keeping bilge water discharge within required 15 or 5 ppm levels.
- IMO certified Oil in Water Monitor with 18 month data logging, 2 models available.
- MED EC Type Approval.
- Chinese Classification Society Type Approval.
- Wave MiniBOSS 24 - 24v DC maximum flow rate 0.25 M<sup>3</sup>/hr.
- Wave MiniBOSS 110 - 240v AC maximum flow rate 0.50 M<sup>3</sup>/hr.
- Compact, light and easy to maintain with Wavestream high capacity cartridges.



For more information - [info@waveinternational.co.uk](mailto:info@waveinternational.co.uk)

**IMO Bilge Filter System - Wave MiniBOSS**



**UTILITY REQUIREMENTS**

7A POWER SERVICE  
 24 VOLTS DC  
 .25 GPM, CELL CLEAN WATER  
 (NOT OILY – FRESH OR SEA WATER)

**UNIT CONNECTIONS**

- (A) – OILY WATER INLET 3/8 NYLON TUBE PUSH LOCK
- (B) – DISCHARGE WATER OUT 3/8 NYLON TUBE PUSH LOCK
- (C) – RECYCLE WATER OUT 3/8 NYLON TUBE PUSH LOCK
- (D) – CELL CLEAN WATER 3/8 NYLON TUBE PUSH LOCK
- (E) – POWER IN 24VDC ONLY @ 7 AMPS

**PAINT SYSTEM:**

BLAST SSPC SP-10 2.0 – 3.0 MIL PROFILE  
 PRIMER COAT SHERWIN WILLIAMS OR EQUIVALENT  
 RECOATABLE EPOXY PRIMER 4–6 MILS DRY  
 TOP COAT SHERWIN WILLIAMS OR EQUIVALENT  
 HIGH SOLIDS POLYURETHANE 2–3 MILS DRY  
 COLOR RAL6029 MINT GREEN  
 DRY WEIGHT – 83 LBS/37.6 KG  
 WET WEIGHT – 132 LBS/60 KG  
 WEIGHTS INCLUDE MEDIA

**CUSTOMER INTERFACE**

INPUT POWER:	24 VDC @ 7 AMPS
REMOTE START/STOP	CONTACT CLOSURE
ALARM SIGNAL	4–20 MA 1–15PPM OIL CONTENT
ALARM #2	1–15 PPM OVER LIMIT ALARM
	INTERNAL CONTACT CLOSURE
	3A @ 250VAC



WB100 / 300

WBS / WBLite

## Ordering Details



WBS	Wavebrite System 12 / 24v
	Complete with pump, filters, gauges, control sump, fittings and pipe.
WBLite	Wavebrite Lite System 12 / 24v
	Complete as WBS for smaller boats.
WB2010	Wavebrite 2010 System 12 / 24v
	Complete for boats with multiple showers, basins.
WB2020	Wavebrite 2020 System 12 / 24v
	Complete as 2010 for boats with multiple showers, basins but larger capacity.
WB100	Wavebrite 100 System 12 / 24v or AC
	Complete for S/Y and boats requiring larger capacity, processes up to 100 cubic meters.
WB300	Wavebrite 300 System 12 / 24v or AC
	Complete for S/Y and boats requiring larger capacity, processes up to 300 cubic meters.

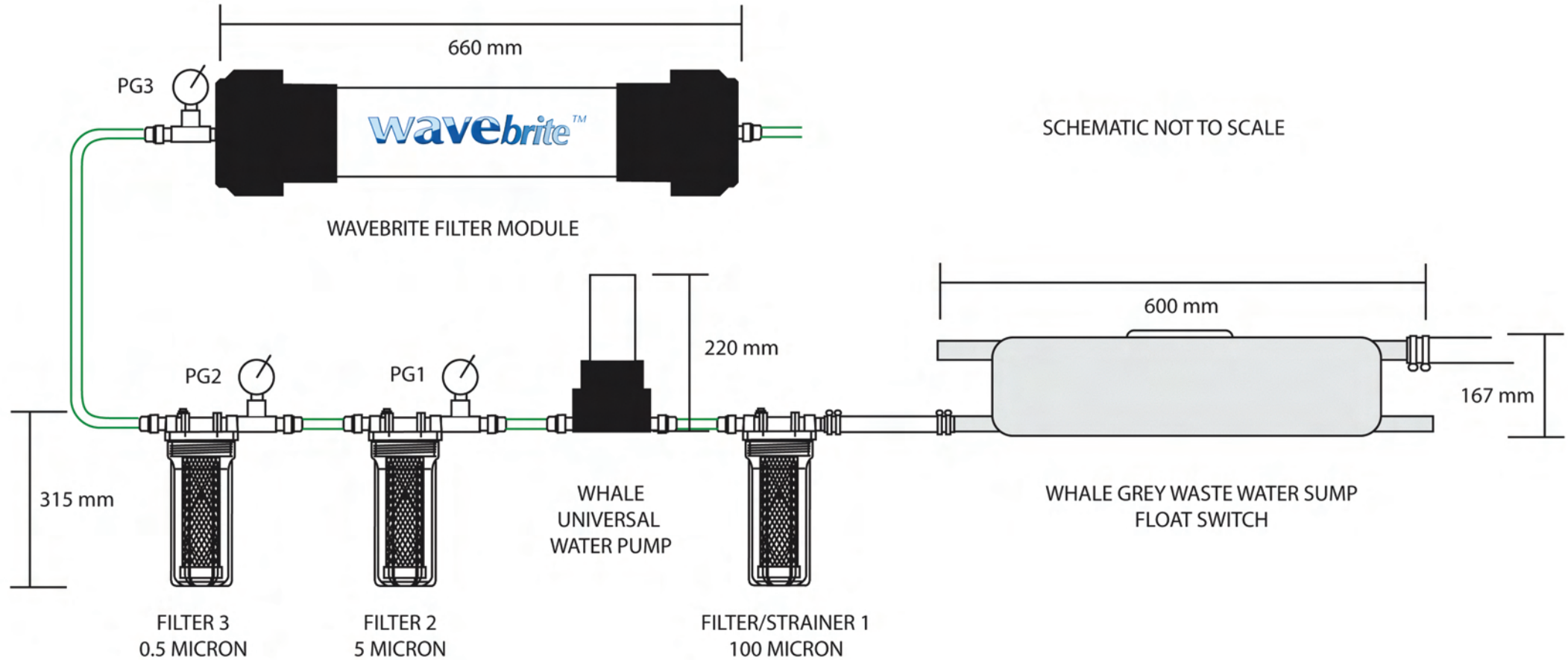
Wavebrite discharge meets EU Council Directive concerning waste water treatment (91/271/EEC).

Features & Information - [www.waveinternational.co.uk](http://www.waveinternational.co.uk)

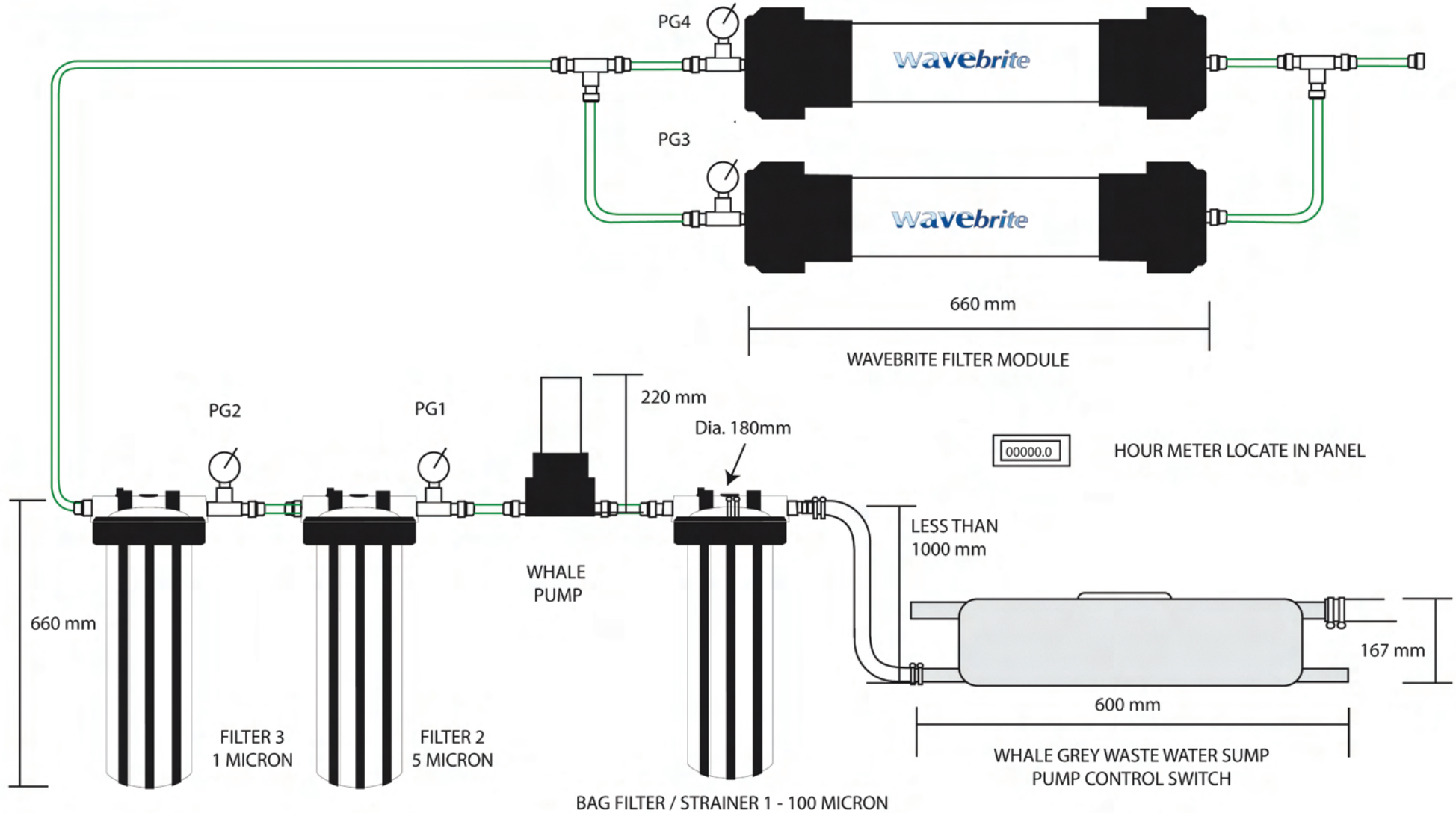
- Wavebrite has 5 main components with four stage grey water filtration, main Wavebrite module, pre-filters, pump, pump strainer and control.
- Pump with automatic control, no holding tanks or pump out required.
- Point of filtration pressure gauges and remote hour meter.
- The components are modular and can be located separately, connected by flexible hose for ease of installation.
- 15 L/min maximum flow rate basic models, option available to increase.

# Grey Water Filter System - Wavebrite

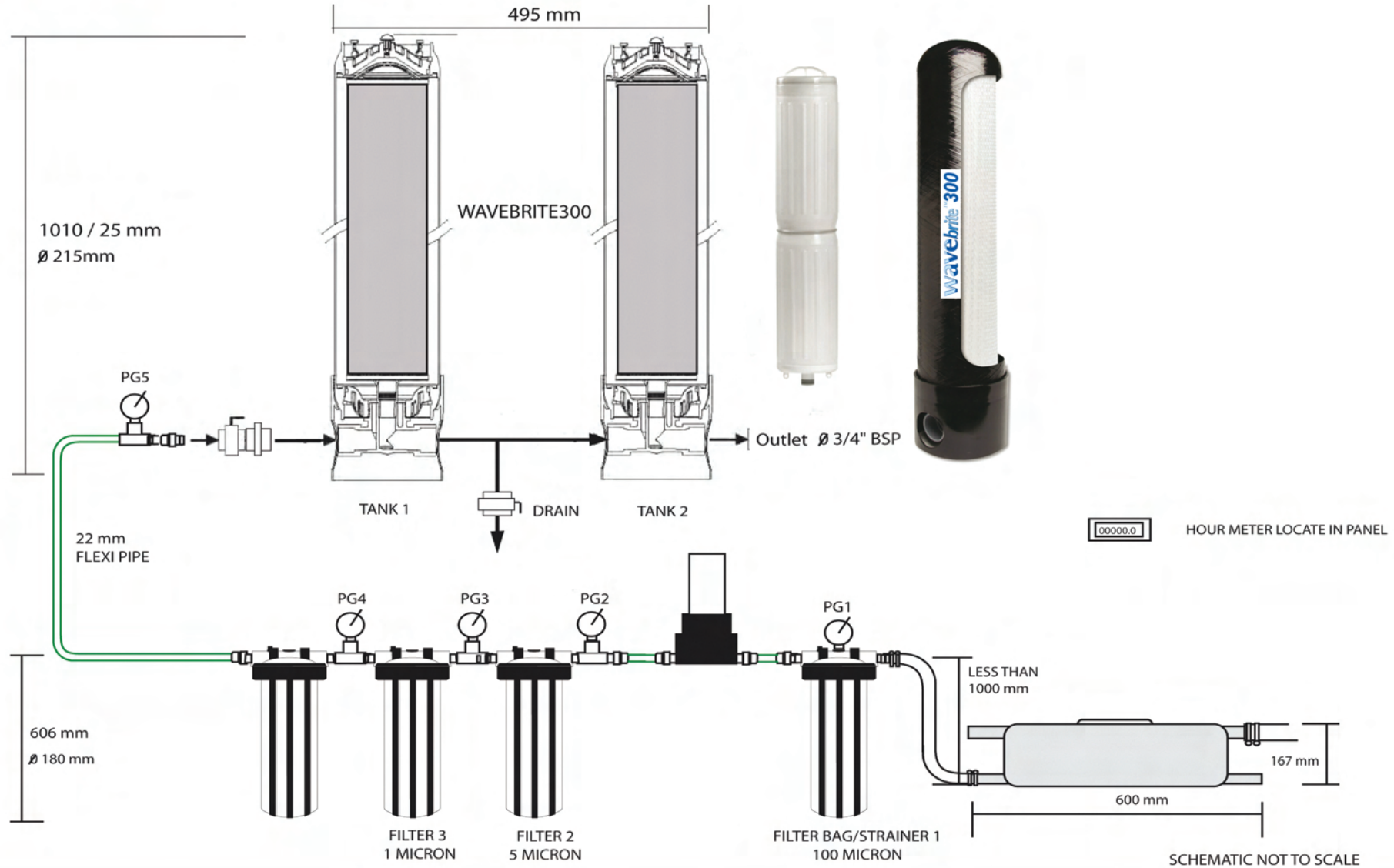




## Grey Water Filter System - Wavebrite



# Grey Water Filter System - Wavebrite



## Grey Water Filter System - Wavebrite



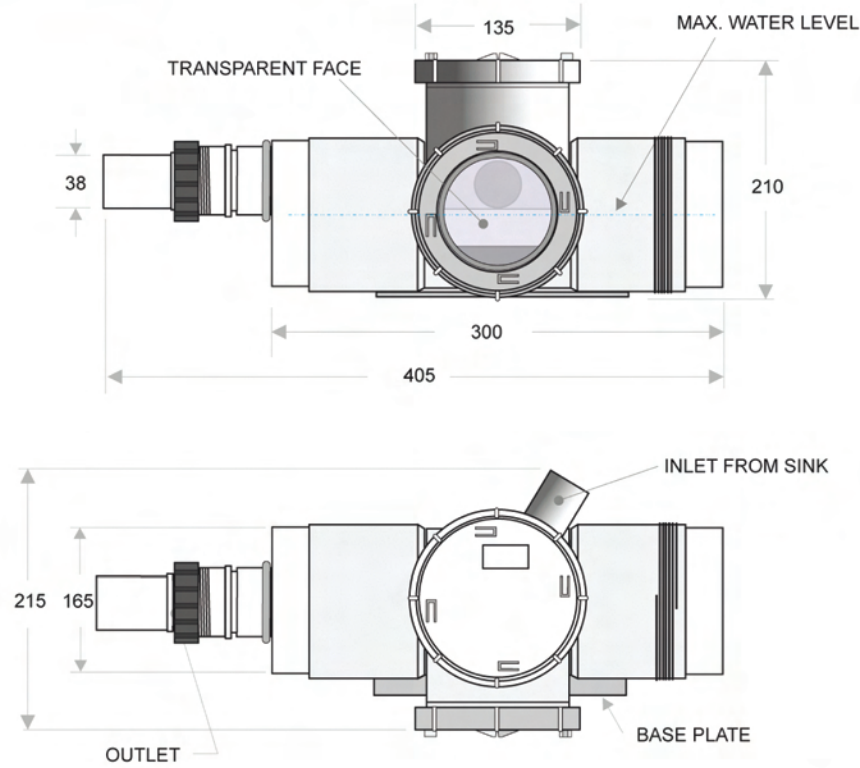
WBGT/1.75	Wavebrite Grease Trap 1.75L
	Grease trap with a 1.75 litre capacity.
WBGT/4.5	Wavebrite Grease Trap 4.50L
	Grease trap with a 4.50 litre capacity.

The Wavebrite Grease Trap is a useful addition to any Wavebrite System when processing galley waste water. It removes food waste, fat and grease which helps prevent solids forming in the system and extends the life of the Wavebrite module and filter cartridges.

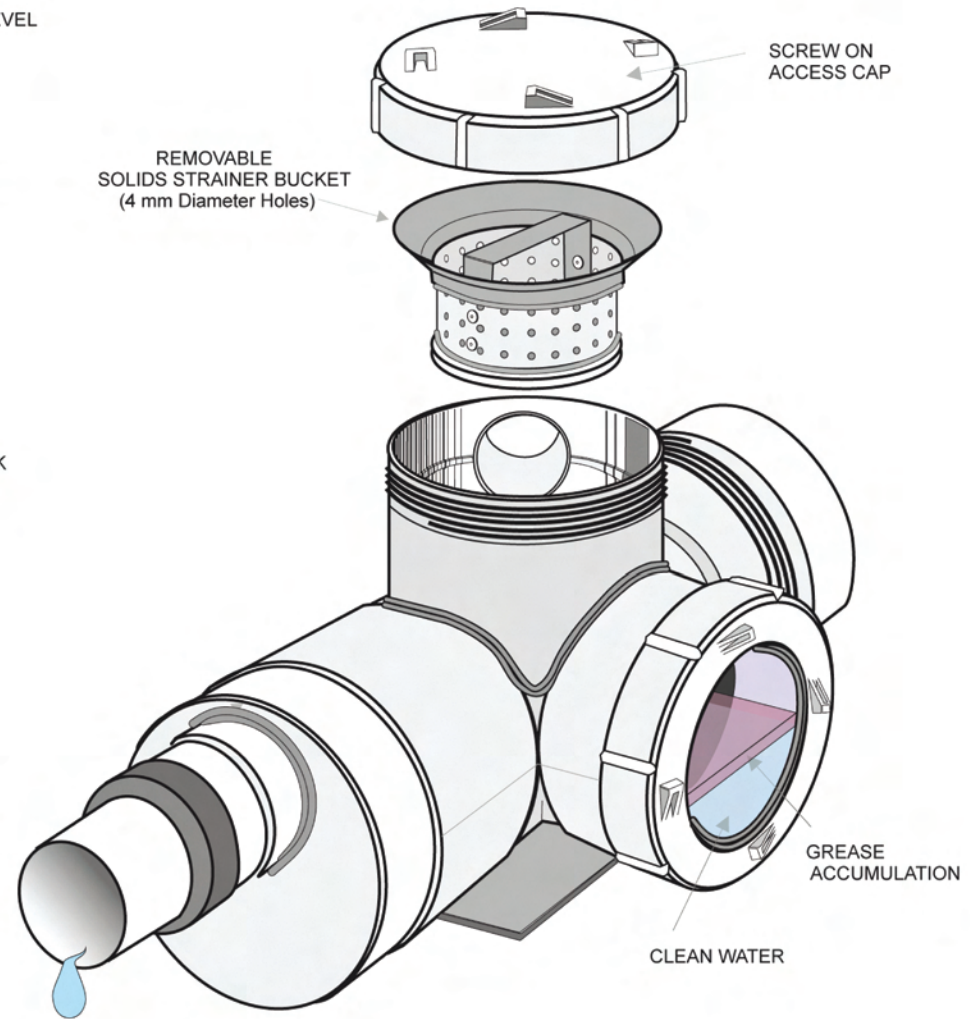
Features & Information - [www.wavebrite.co.uk](http://www.wavebrite.co.uk)



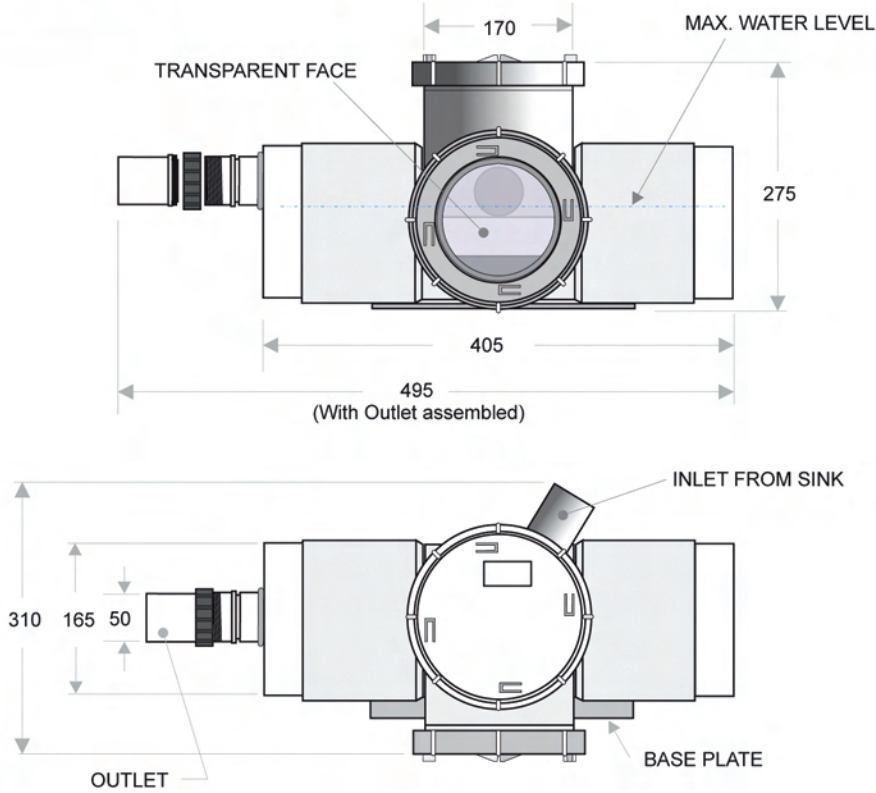
- Simply installed in the drain from the galley sink or dishwasher.
- Removes food debris, fat and grease retaining them in the food basket and grease trap reservoir.
- Extends the life of the Wavebrite module and filter cartridges and improves pump efficiency.
- The fat / grease level is visible through the inspection glass which indicates when the trap needs servicing.
- Two sizes available, 1.75 and 4.50 litre.



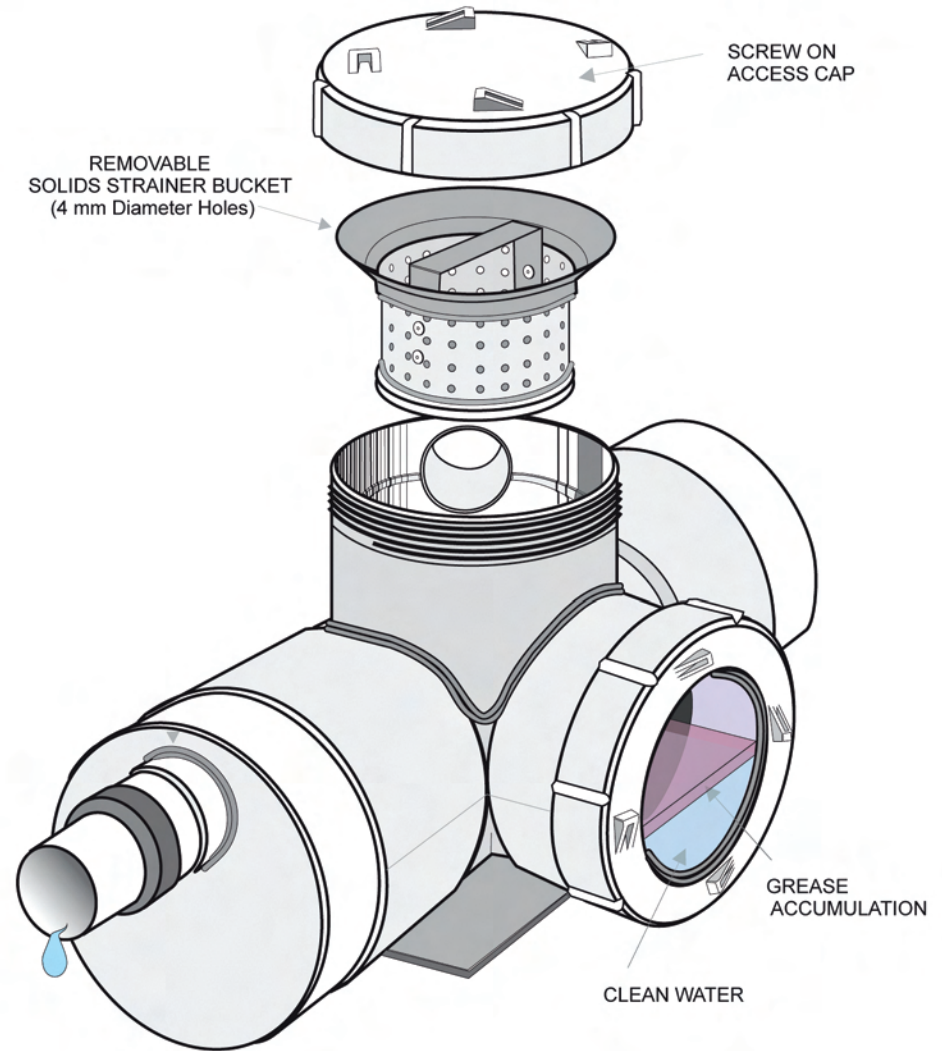
Wavebrite Grease Trap 1.75L



## Grey Water Grease Trap - Wavebrite



Wavebrite Grease Trap 4.50L





## Ordering Details

# Flostream

FLOW2	Flostream Cartridge 2 Replacement cartridge, length plus head 264mm. Capacity 3,800 L.
FLOW4	Flostream Cartridge 4 Replacement cartridge, length plus head 372mm. Capacity 7,600 L.
FLOWPHD	Flostream Head Universal head 10mm quick connect ports.

Designed to provide premium quality drinking water and for all food service applications. Available in two sizes giving a practical, cost effective point of use solution for safe, healthy water.

Features & Information - [www.waveinternational.co.uk](http://www.waveinternational.co.uk)

- NSF 42 & 53 certified to meet health and aesthetic standards.
- Chlorine, taste and odour reduction.
- Lime-scale and KDF inhibition, anti bacterial and reduces heavy metals.
- Cyst reduction, removes contaminants that cause health issues.
- Bacteriostatic control to inhibit microbial growth in the water system.
- Cartridge easy connect/release with a quarter turn, replace after 6 months or if has passed stated cartridge capacity in litres.
- Pressure range 0.7 - 8.5 bar. / Temperature range 2 - 38 degrees centigrade. Recommended flow rate 1.90 L/min..
- Simple installation with push fit connections for standard 10mm flexi pipe. Install in vertical position with cartridge hanging below for easy replacement.



NSF/ANSI Certified to standards 42 & 53.

## Drinking Water Cartridge and Head - Flostream



## Ordering Details

# Flostream

FLOHFHSG	Flostream HiFlo Twist Lock with cartridge
	Twist lock housing with 10mm quick connect ports.
FLOHFC	Flostream HiFlo Cartridge
	Replacement cartridge, length plus head 390mm. Capacity 6,000 L.

Designed to provide premium quality drinking water and for all drinking water applications. Gives a practical, cost effective point of use solution for safe, healthy water.

Features & Information - [www.waveinternational.co.uk](http://www.waveinternational.co.uk)

- WRAS and NSF certified components and filter cartridge.
- Chlorine, taste and odour reduction.
- Lime-scale inhibition and reduces heavy metals.
- Bacteriostatic control to inhibit microbial growth in the water system.
- Filter body easy connect/release with a quarter turn, replace cartridge after 6 months or if has passed stated capacity in litres.
- Pressure range 0.7 - 8 bar. / Temperature range 2 - 38 degrees centigrade. Recommended flow rate 6 L/min..
- Simple installation with push fit connections for standard 10mm flexi pipe, conversion to BSP connections available. Install in vertical position with cartridge hanging below for easy replacement.



## Drinking Water Filter and Cartridge - Flostream HiFlo





## Ordering Details

# Flostream

FLOHF10	Flostream HiFlo10
	Housing with integral bracket, 10 or 15mm (part no. FLOHF10-15) quick connects, spanner and cartridge. Max. recommended flow rate 10 L/min.
FLOHF10C	Flostream HiFlo10 Cartridge
	Replacement cartridge, capacity 6,000 L.

The Flostream HiFlo10 is designed for higher flow rate drinking applications to provide premium quality, safe, healthy drinking water.

## Features & Information - [www.waveinternational.co.uk](http://www.waveinternational.co.uk)

- WRAS and NSF certified components and filter cartridge.
- Chlorine, taste and odour reduction.
- Lime-scale inhibition and reduces heavy metals.
- Bacteriostatic control to inhibit microbial growth in the water system.
- Filter body easily removed with spanner provided, replace cartridge after 6 months or if has passed stated capacity of 6000 litres..
- Pressure range 0.7 - 8.60 bar. / Temperature range 4 - 51.7 degrees centigrade. Recommended max. flow rate 10 L/min.. Dimensions 337 mm x 146 mm.
- Simple installation with push fit connections for standard 10 or 15mm flexi pipe, conversion to BSP connections available.  
Install in vertical position with cartridge bowl below for easy replacement.

Drinking Water Filter and Cartridge - Flostream HiFlo10



## Ordering Details

# Flostream

## Dock Water Filter

FDF	Flostream Dock Water Filter
	Housing with supply hose, connections and Flostream Dock Water Cartridge. Max. recommended flow rate 20 L/min.
FDF-C1	Flostream Dock Water Filter Cartridge
	Replacement cartridge, capacity 20,000 L.

The Flostream Dock Water Filter is installed in the water supply to pre-filter water when filling onboard tanks. Removing most impurities in 3 stages, further purification at the point of use can then be applied if required.

Features & Information - [www.waveinternational.co.uk](http://www.waveinternational.co.uk)

- Removes particulates, chlorine, improving taste and smell as a pre-filter.
- Stage 1. removes large particles.
- Stage 2. goes on to remove sediments down to 1 micron.
- Stage 3. effectively reduces chlorines, smell and odours, improving taste and colour with bacteriostatic control.
- Maximum pressure 6.20 bar. / Temperature range 1 - 45 degrees centigrade. Recommended max. flow rate 20 L/min., dimensions 315 mm x 130 mm dia..
- Simple installation, hose supplied with 3/4" BSP connections. The filter is installed between the supply tap and the onboard tanks.

Flostream products for safe, healthy drinking water.

Dock water filter, cartridge and hose - Flostream FDF



Install a new cartridge at the beginning of every season

## Ordering Details



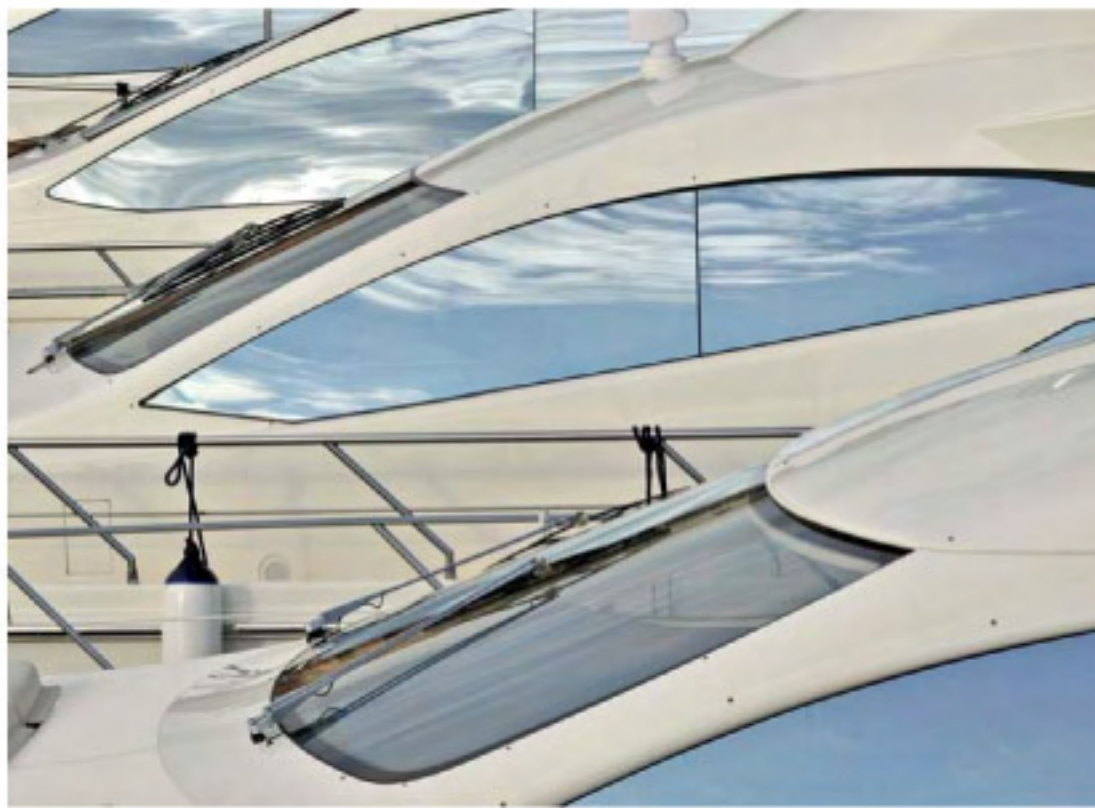
WAM16	Waveair Micro Tank Vent Filter - 16 mm
WAM19	Waveair Micro Tank Vent Filter - 19 mm
WAM25	Waveair Micro Tank Vent Filter - 25 mm
WAMC	Waveair Micro Replacement Filter for 16 & 19 mm
WAMC25	Waveair Micro Replacement Filter for 25 mm
WA16	Waveair Tank Vent Filter - 16 mm
WA19	Waveair Tank Vent Filter - 19 mm
WA25	Waveair Tank Vent Filter - 25 mm
WAC	Waveair Replacement Filter for 16 & 19 mm
WAC25	Waveair Replacement Filter for 25 mm

Eliminates foul smells in and around your boat from holding tank vents. Waveair is simply installed in the vent line after the tank and before the outlet. Removes the organic compounds that cause bad odours.

Features & Information - [www.waveinternational.co.uk](http://www.waveinternational.co.uk)

- Waveair uses a highly effective filter media, is available in 2 sizes, Waveair at 430 mm and Waveair Micro at 200 mm long, both for 16, 19, and 25 mm hose connections.
- Single module supplied with brackets and connections.
- Simply remove the complete filter after a year, retaining bracket and connections, insert replacement and no more bad smells.
- Install in line above the O/B discharge point so no water can enter, do not overfill the tank which may also wet the filter reducing its effectiveness.
- Do not use in conjunction with a sewage treatment system or if significant amounts of chemicals, chlorine or other oxidising agents enter the tank.

# Holding Tank Vent Filter - Waveair



## Ordering Details

# Waveshine

WSN 8500	Waveshine Wash and Rinse System
	Waveshine 8500 litre capacity, regeneration filter, salt cartridge, hose & hardness kit.
WSN-CS1	Waveshine 8500 Regenerating Cartridge
WSN-HK	Waveshine Hardness Test Kit

Waveshine is a washdown filter system that removes the minerals from water that causes spotting and smears when washing and rinsing your boat. When used to filter water going onboard it removes hardness softening the water for regular use, protecting sink, shower and sanitary fittings.

### Features & Information - [www.waveinternational.co.uk](http://www.waveinternational.co.uk)

- Waveshine 8500 uses a highly effective resin media with an 8500 litre capacity, depending on water hardness.
- Supplied with a hardness test kit and easily regenerated using the salt filter supplied.
- Replacement salt cartridges available.
- Waveshine can be used free standing on the dock or installed onboard. Saddle clamps work as a stand on the dock or as brackets for internal fixing.
- Maximum performance is ensured due to an internal distribution system.
- Softened water will also improve the effectiveness of soap in wash water and onboard dish and clothes washing machines.

Regular checks with the hardness test kit indicates the need for regeneration.



## Waveshine Wash and Rinse System



## Ordering Details

# PROstream

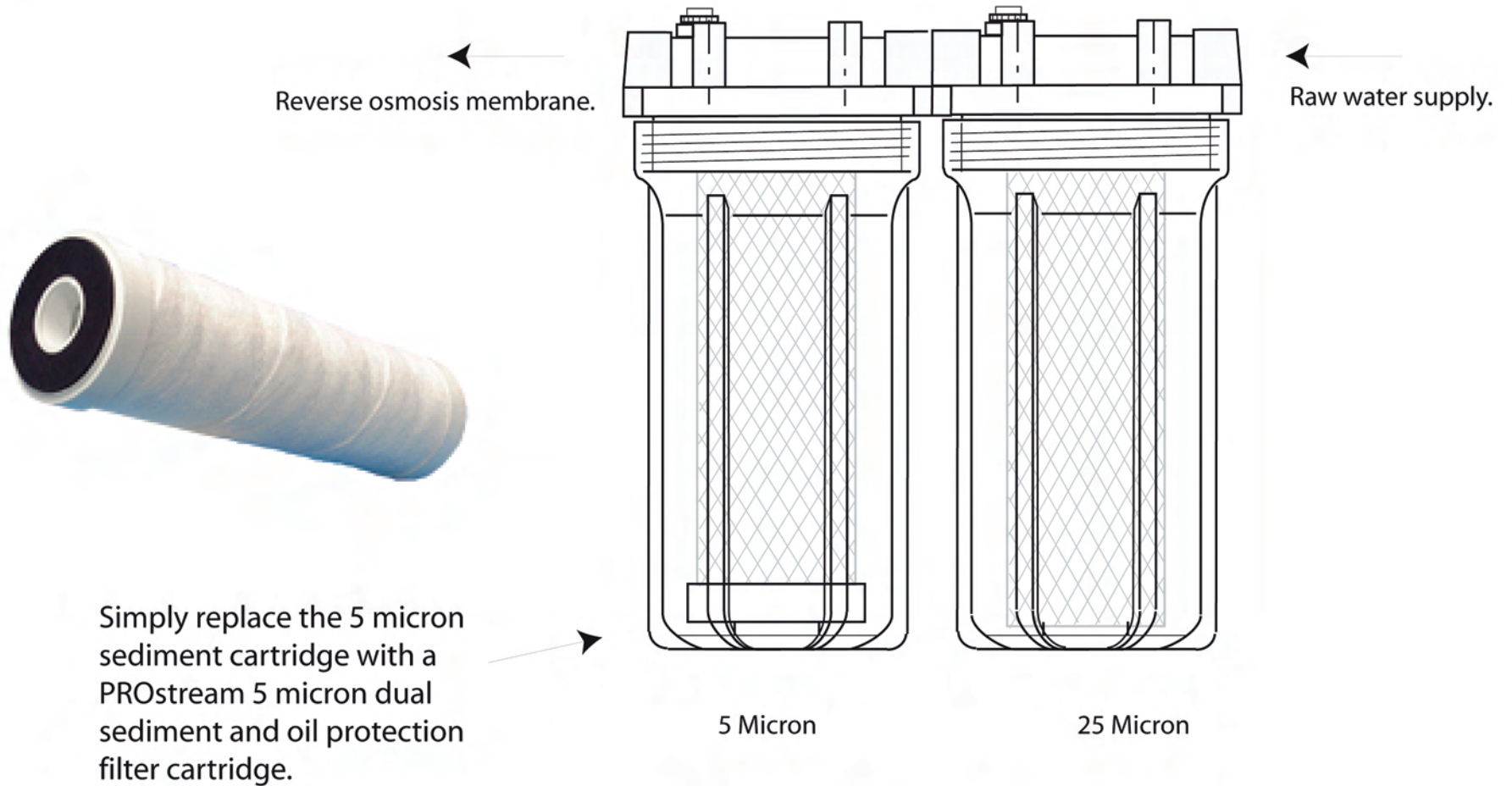
PRO-C1	PROstream Wound 5 micron 10"
	Wound outer oil removal cartridge fits standard 10" housings.
PRO-C1/20	PROstream Wound 5 micron 20"
	Wound outer oil removal cartridge fits standard 20" housings.
PRO-C2	PROstream Wound 5 micron 10BB
	Wound outer oil removal cartridge fits large diameter Big Blue 10" housings.
PRO-C2/20	PROstream Wound 5 micron 20BB
	Wound outer oil removal cartridge fits large diameter Big Blue 20" housings.

Unique pre-RO watermaker protection removes both sediment and trace oils. Combined string wound or melt blown cartridge with Wavestream oil removal technology. The PROstream cartridge replaces existing pre filter and offers additional oil protection phase.

Features & Information - [www.waveinternational.co.uk](http://www.waveinternational.co.uk)

- Protects the main RO by efficient oil removal with high dirt holding properties.
- Wide range of sizes, micron ratings and end cap configurations available.
- Consistent filtration over the life of the cartridge.
- Marine, domestic and industrial applications.

## Watermaker Duo Cartridge - PROstream



Typical watermaker pre-filters arrangement.

## Watermaker Duo Cartridge - PROstream



Ordering Details

**wavestream**<sup>TM</sup>

WS-C6/RWO	Wavestream Bilge Filter Cartridge RWO
	Oil removal cartridge double open ended single internal O ring.

The Wavestream retrofit cartridges are used to remove trace oils within an oil water separator. Tested by manufacturers and independantly in sea trials they are proven to effectively control the discharge of bilge water in the final processing phase keeping discharge within specification, reducing maintenance and operating costs.

Wavestream bilge filter systems are also available independantly as primary systems for all types and sizes of craft that do or don't require IMO approved systems.



Features & Information - email: [info@waveinternational.co.uk](mailto:info@waveinternational.co.uk)  
[www.waveinternational.co.uk](http://www.waveinternational.co.uk)

Wavestream Oil Water Separator Cartridge