



**wavebrite™**

## **Slimline**

### **INSTALLATION & OPERATING INSTRUCTIONS**

**Slimline Models:**

**WBSL**

**WBSLLite**

**WBSL2010**

**WBSL2020**

**[WWW.WAVEINTERNATIONAL.CO.UK](http://WWW.WAVEINTERNATIONAL.CO.UK)**

## Contents

Section	Page
<b>1. Introduction</b>	<b>2</b>
1.1 Important	2
1.2 What It Does	2
1.3 About these instructions	3
1.4 Before you begin	3
<b>2. Tools and Fasteners</b>	<b>3</b>
<b>3. Basic Components</b>	<b>4</b>
<b>4. Wavebrite™ Slimline GW Filter System Specifications</b> See Figs. 1. 2. 3. & 4.	<b>5</b>
<b>5. Installing the Components</b>	<b>9</b>
5.1 Wiring Diagram Fig. 5.	10
5.2 Wiring Diagram WBLite Fig. 6.	11
5.3 Drawing WHALE GREY WASTE WATER SUMP 16L.	12
<b>6. Cartridge Replacement</b>	<b>13</b>
<b>7. Functional Checks</b>	<b>13</b>
7.1 Installation check	13
7.2 With pump running, check	13
7.3 Operational / Maintenance check	13
<b>8. Code of Practice</b>	<b>14</b>

## Section 1. Introduction

### 1.1 Important

It is important to us that this product works as advertised and that you enjoy the extra peace of mind that Wavebrite™ offers by protecting the environment. If you have any queries that can not be answered by your supplier or engineer, please contact us direct on +44 (0) 1476 861717 or e-mail [info@wavebrite.co.uk](mailto:info@wavebrite.co.uk) or [info@waveinternational.co.uk](mailto:info@waveinternational.co.uk)

### 1.2 What it does

- The Wavebrite™ Slimline grey water filter systems remove contaminants from waste water as it is pumped through the system before discharge overboard. Grey waste water is generally produced by showers, hand basins and washing machines. The system is controlled by a level control switch located in the WHALE GREY WASTE WATER SUMP which controls the pump. This filter system is designed to remove contaminants from grey water, if galley waste is put through the system cartridge life could be drastically reduced.
- Wavebrite™ Slimline is designed for use in all sizes of boat **WBSL** as standard **WBSLlite** for small boats with a single basin with little space available and then the dual module units **WBSL2010 & WBSL2020** for large craft with a couple of heads and several waste water sources. The Wavebrite™ Slimline filter modules can be installed in multiples in parallel if the flow rate and contamination requires even greater capacity, Wavebrite™ Slimline module kits are available separately. Differential pressure and the hour meter indicates when the filters and main Wavebrite™ Slimline filter needs changing, see **Section 1.4** Check with Wave International technical department if in doubt. **General Model Selections Guide:** WBSLlite – Tenders and day boats. / WBSLS – Boats up to 20M. with single shower. / WBSL2010 – Boats over 20M. with several sources and possible crew. / WBSL2020 – Boats >24M.

A Wavebrite™ Slimline Main Module Kit doubles the overall capacity of the standard system the other larger models are available WBSL2010 & 2020 and the WB100 & 300 for much larger craft.

#### CAUTION

This filter system is designed to remove contaminants from grey water, if galley waste is put through the system cartridge life could be drastically reduced.



- A Gulper Pump from Whale (not supplied) can be installed to the WHALE GREY WASTE WATER SUMP to provide direct pump out in areas where it is permitted.
- **Galley waste water should be directed to the black water system due to the food waste content** and if directed to the Wavebrite Slimline system it may significantly reduce cartridge life. A Wavebrite™ grease trap is available in two sizes 1.75 and 4.0 litres if required.

### 1.3 About these instructions

The panels on the left of the pages draw attention to SAFETY CONSIDERATIONS of the adjacent text in accordance with the conventions of the EU Recreational Craft Directive.

#### DANGER

- DANGER. Indicates a hazard that could easily result in death or serious injury if proper precautions are not taken. If you have any doubts about what precautions to take, you should seek expert advice.

#### WARNING

- WARNING. Indicates a hazard that could result in death or serious injury if proper precautions are not taken. If you have any doubts about what precautions to take, you should seek expert advice.

#### CAUTION

- CAUTION. Indicates a hazard that could result in personal injury or damage to your boat or its equipment if suitable care is not taken.

#### NOTE

- NOTE. Contains additional information that may be of help.

### 1.4 Before you begin

#### CAUTION

If you have any doubts at any time about installing this equipment, please consult a qualified person or contact Wave International for advice.

Before you start, please read through these instructions carefully as well as those supplied by WHALE. Fitting Wavebrite™, models WBSL, WBSL2010 & WBSL2020 involves:

- Cutting into a section of flexible hose or grey waste water discharge pipe. Making electrical connections.
- Installing Wavebrite™ Slimline into the grey waste water discharge system usually using hose tails and clamps, it may also require screwing into a threaded section of pipe or using flanged and bolted fittings which are not supplied. Electrical connections should be made by a qualified electrical installer with reference to the electrical equipment suppliers instructions.
- Mounting the Wavebrite™ Slimline filter module, pre-filters, pump strainer, pump and grey wastewater sump by bolting or screwing the mounting brackets to a solid fixing point.
- The position you mount the Wavebrite™ Slimline filter module, pre-filters and pump filter/strainer in must allow for cartridge replacement. Do not mount in direct sunlight.
- **Some consideration must be given at this time to location of the components, the following all affect pump performance:**
- Suction hose length between the pump strainer, grey waste sump and the pump. If too long this can reduce pump performance. WHALE UNIVERSAL WATER PUMP 12 or 24 volt to be mounted with motor end up in the vertical plane.
- Hose diameter and type, correct hose is supplied from the WHALE GREY WASTE WATER SUMP.
- Discharge head from the pump should be less than 1000 mm
- Angles and fittings in hoses all cause a reduction in pump efficiency.
- The shorter the pipe runs to and from the WAVEBRITE™ SLIMLINE FILTER MODULE with no extra fittings such as elbows and bends, the better the system will perform. Always check with the Wave International Technical Department if in doubt.

#### WARNING

Electrical connections are required and should be carried out by and checked by a qualified electrical installer.

## Section 2. Tools and Fasteners

### WARNING

See Whale Pipe Fitting Guide regarding the Whale WX 15mm pipe. Take care if using a sharp knife to cut the 25mm flexible hose.

Wavebrite™ Slimline can be installed with the average DIY toolkit. Items you will need:

- Fixings/bolts for filter, pump and tank brackets.
- Electrical connections, switches, fuses and wire. See Section 1.4 and Fig.2
- Thread tape or thread sealing compound.
- Suitable pipe cutter (prt. No. WX7950) for the Whale WX 15mm pipe as shown in the Whale Catalogue also see Whale Pipe Fitting Guide.

## Section 3. Basic Components

### NOTE

Fixings & electrical connections to install in to the boat are not supplied and will need to be obtained prior to fitting. See Sections 2. & 5.

Before you start, please check that your system kit contains the following components. If you think you are short of any items, please call us immediately.

### Wavebrite™ Slimline Standard System

Item	Qty.	Description
1.	1	WAVEBRITE™ SLIMLINE FILTER MODULE.
2.	2	Saddle clamps for WAVEBRITE™ SLIMLINE FILTER MODULE
3.	1	Filter housing with 5 micron wound cartridge.
4.	1	Filter housing with 0.5 micron wound cartridge.
5.	1	Filter housing with 100 micron screen.
6.	3	Tees for pressure gauges with quick connect.
7.	3	Pressure gauges.
8.	1	Hour Meter.
9.	2	15mm Quick Connect for WAVEBRITE™ FILTER MODULE
10.	3	Stainless steel brackets.
11.	12	Filter housing bracket screws
12.	1	WHALE UNIVERSAL WATER PUMP 12 or 24 volt.
13.	1	WHALE GREY WASTE WATER SUMP 16L.
14.	5 Mtrs	15 mm hose.
15.	1 Mtrs	25 mm braided hose.
16.	4	Hose clips
17.	1	Instruction and information pack.

### Alternative components supplied with model WBLite:

1.	1	WBSLLite MS Filter housing with 100 micron screen.
2.	1	WHALE IC MANIFOLD replaces the WASTE WATER SUMP16L
3.	1	DC Converter Module 12V To 5V 3A 15W Power Adapter

### Alternative components supplied with models WBSL2010 & 2020 as follows:

4.	2	WAVEBRITE™ SLIMLINE FILTER MODULE.
5.	4	Saddle clamps for WAVEBRITE™ FILTER MODULE
6.	1	BB10 or BB20 Filter housing with 5 micron wound cartridge.
7.	1	BB10 or BB20 Filter housing with 0.5 micron wound cartridge.
8.	1	BB20 Filter Bag housing with 100 nylon filter bag.
9.	4	Tees for pressure gauges with quick connect.
10.	4	Pressure gauges.
11.	1	Hour Meter.
12.	4	15mm Quick Connect to WBSL
13.	2	Tees for dual modules with quick connect.

Refer to Whale Water Systems Catalogue for further information regarding WHALE PUMPS and the WHALE GREY WASTE WATER SUMP +44 (0)28 9127 0531 [info@whalepumps.com](mailto:info@whalepumps.com) [www.whalepumps.com](http://www.whalepumps.com)

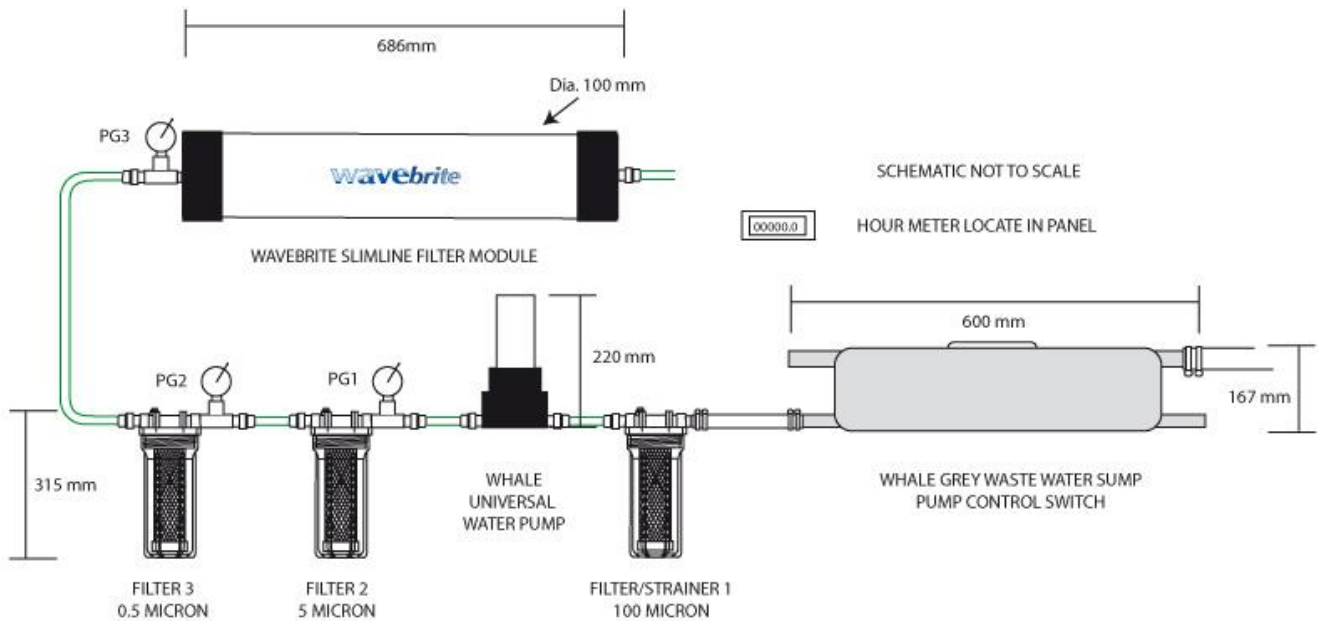


## Section 4. Wavebrite™ Slimline WBSLS Grey Water Filter System Specifications

FLOW RATE: 1-15 Liters per min.  
 SYSTEM MAX. PRESSURE: 6.2 bar.  
 MAX. OPERATING PRESSURE: 3 bar.  
 PRE-FILTERS MAX. PRESSURE: 2 bar. (@ 2 bar. change filter cartridges 2 & 3)  
 WAVEBRITE MODULE MAX. HOURS: 20 hrs. then replace with new module.  
 MAX. TEMP: 45 deg. C.  
 MIN. TEMP: 1 deg. C  
 WOUND CARTRIDGE: Part No. WB004 (0,5 micron)  
 WOUND CARTRIDGE: Part No. WB005 (5 micron)  
 FILTER SLEEVE: Part No. WB006 (100 micron)

Leave a minimum of **25 mm** below each filter housing to allow cartridge removal.

Fig 1.



	Drawing No. 20060 Rev. 00      Description. Wavebrite Slimline System Schemat (WBSLS)
	Date. 24/02/20      Ref. PG
	<small>                     Notice: This work contains CONFIDENTIAL AND PROPRIETARY INFORMATION of Wave. This document and the information disclosed herein shall not be reproduced in whole or used or disclosed to others for any purpose including conceptual design, engineering, manufacturing or construction without the written permission of Wave. By acceptance the recipient agrees to these conditions.                 </small>

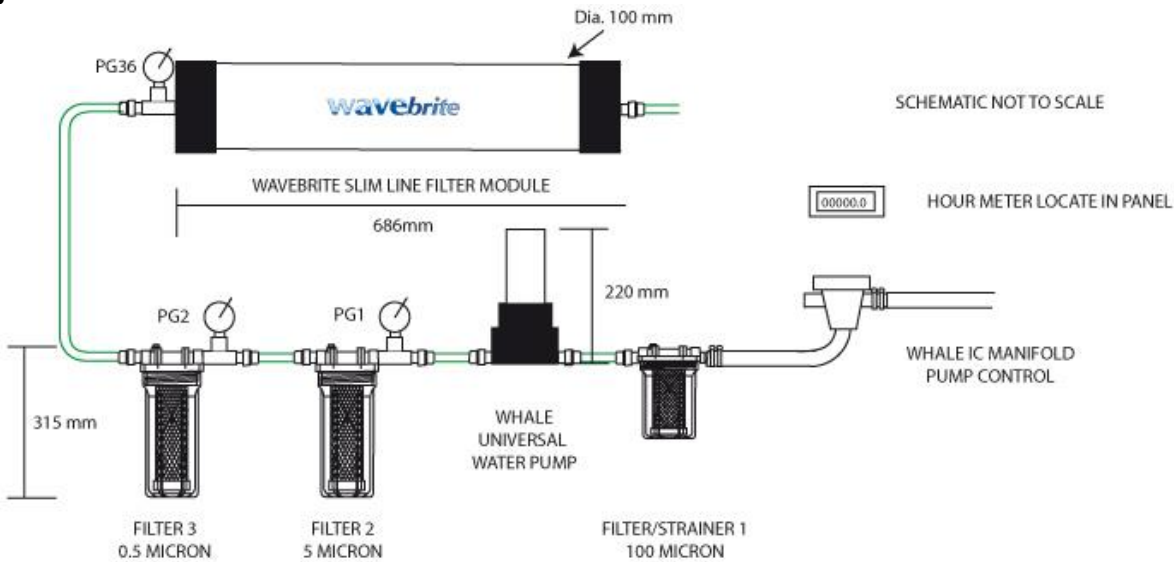


## Wavebrite™ Slimline Lite WBSLLite Grey Water Filter System Specifications

FLOW RATE:	1-15 Liters per min.
SYSTEM MAX. PRESSURE:	6.2 bar.
MAX. OPERATING PRESSURE:	3 bar.
PRE-FILTERS MAX. PRESSURE:	2 bar. (@ 2 bar. change filter cartridges 2 & 3)
WAVEBRITE MODULE MAX. HOURS:	20 hrs. then replace with new module.
MAX. TEMP:	45 deg. C.
MIN. TEMP:	1 deg. C.
WOUND CARTRIDGE:	Part No. WB004 (0,5 micron)
WOUND CARTRIDGE:	Part No. WB005 (5 micron)
FILTER SLEEVE:	Part No. WB006 (100 micron)

Leave a minimum of 25 mm below each filter housing to allow cartridge removal

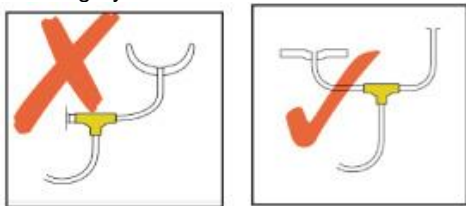
Fig 2.



Drawing No.20055 Rev.00	Description. Wavebrite Slimline Lite System Schemat
Date. 22/04/20	Ref. PG
<small>Notice: This work contains CONFIDENTIAL AND PROPRIETARY INFORMATION of Wave. This document and the information disclosed herein shall not be reproduced, in whole or used or disclosed to others for any purpose including conceptual design, engineering, manufacturing or construction without the written permission of Wave. By acceptance the recipient agrees to these conditions.</small>	

**CAUTION**  
If you have any doubts at any time about installing this equipment, please consult a qualified person or contact Wave International for advice.

- If using a single drain a vent should be fitted to the unused inlet on the IC Manifold in close proximity to the Manifold IC. This is to prevent airlocks in the system. NOTE. The vent should be terminated at a level above the overboard waste water discharge from the Wavebrite system and all grey waste drains.



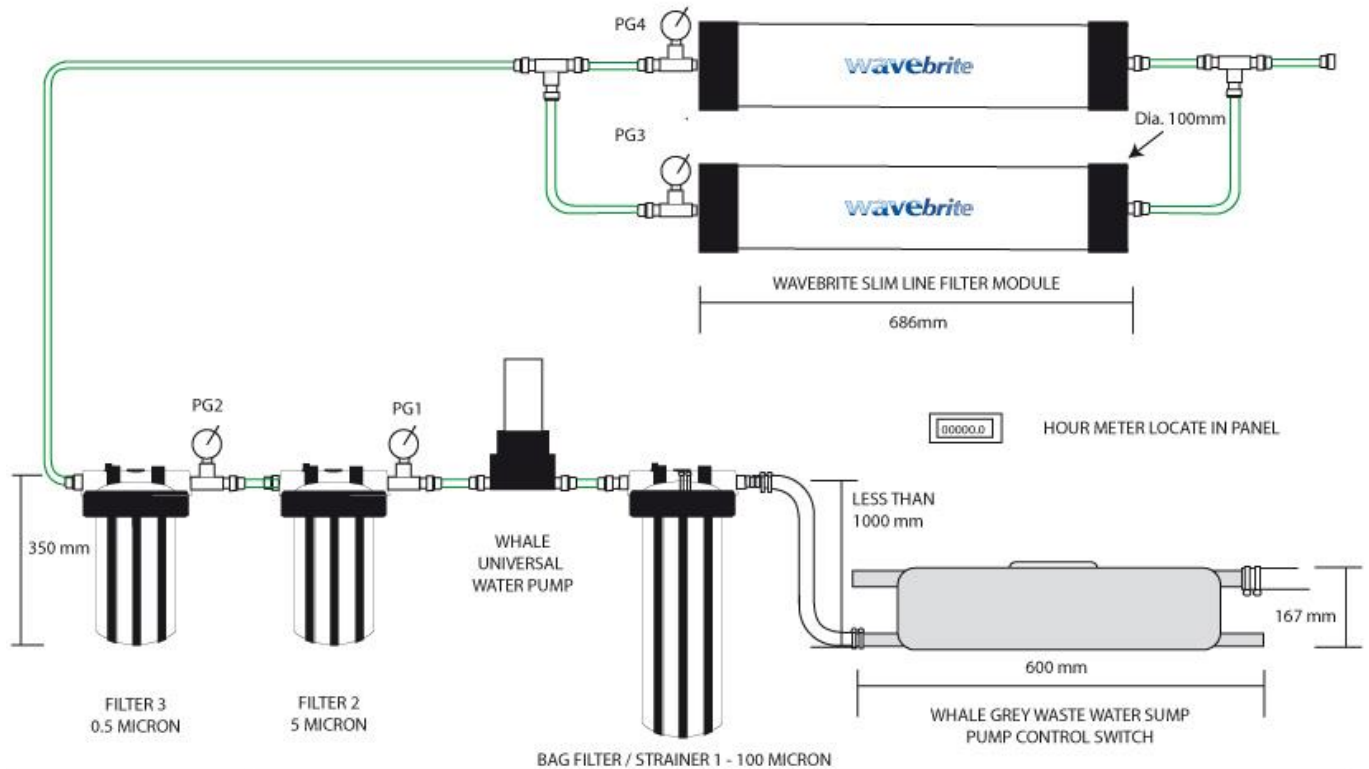


## Wavebrite™ Slimline WBSL2010 Grey Water Filter System Specifications.

FLOW RATE: 1-15 Liters per min.  
 SYSTEM MAX. PRESSURE: 6.2 bar.  
 MAX. OPERATING PRESSURE: 3 bar.  
 PRE-FILTERS MAX. PRESSURE: 2 bar. (@ 2 bar. change filter cartridges 2 & 3)  
 WAVEBRITE MODULE MAX. HOURS: 20 hrs. then replace with new module.  
 MAX. TEMP: 45 deg. C.  
 MIN. TEMP: 1 deg. C  
 WOUND CARTRIDGE: Part No. WB111 (1 micron)  
 WOUND CARTRIDGE: Part No. WB112 (5 micron)  
 FILTER SLEEVE: Part No. WB107 (100 filter bag)

Leave a minimum of **25 mm** below each filter housing to allow cartridge removal

Fig 3.



	Drawing No.20054 Rev. 00	Description. Wavebrite Slimline WB2010 - Schematic only not to scale
	Date.22/04/20	Ref. PG
<small>Notice: This work contains CONFIDENTIAL AND PROPRIETARY INFORMATION of Wave. This document and the information disclosed herein shall not be reproduced in whole or used or disclosed to others for any purpose including conceptual design, engineering, manufacturing or construction without the written permission of Wave. By acceptance the recipient agrees to these conditions.</small>		

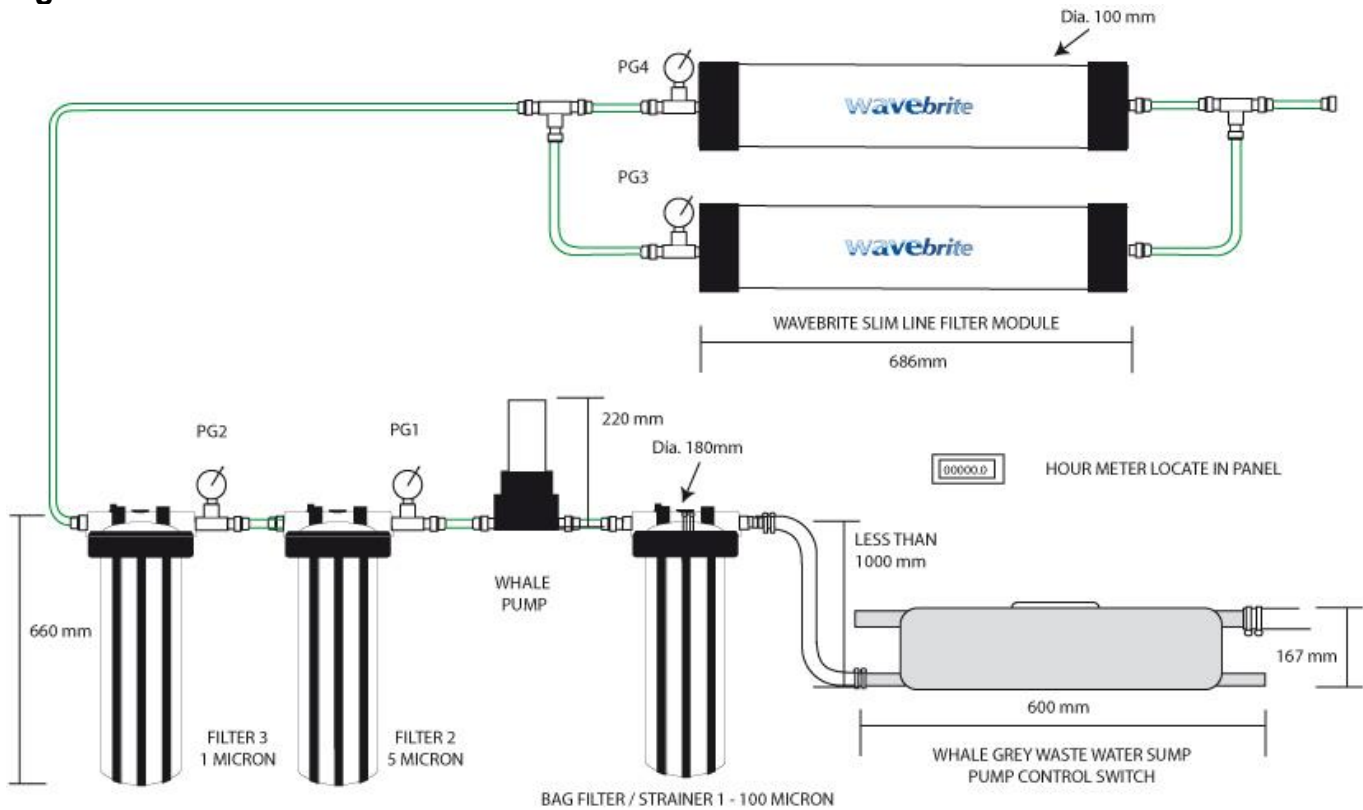


## Wavebrite™ Slimline WBSL2020 Grey Water Filter System Specifications.

FLOW RATE: 1-15 Liters per min.  
 SYSTEM MAX. PRESSURE: 6.2 bar.  
 MAX. OPERATING PRESSURE: 3 bar.  
 PRE-FILTERS MAX. PRESSURE: 2 bar. (@ 2 bar. change filter cartridges 2 & 3)  
 WAVEBRITE MODULE MAX. HOURS: 20 hrs. then replace with new module.  
 MAX. TEMP: 45 deg. C.  
 MIN. TEMP: 1 deg. C  
 WOUND CARTRIDGE: Part No. WB113 (1 micron)  
 WOUND CARTRIDGE: Part No. WB114 (5 micron)  
 FILTER SLEEVE: Part No. WB107 (100 filter bag)

Leave a minimum of 25 mm below each filter housing to allow cartridge removal

Fig 4.



Drawing No. 20061 Rev. 00	Description. Wavebrite WBSL2020
Date. 03/03/20	Ref. PG
Notice: This work contains CONFIDENTIAL AND PROPRIETARY INFORMATION of Wave. This document and the information disclosed herein shall not be reproduced in whole or used or disclosed to others for any purpose including conceptual design, engineering, manufacturing or construction without the written permission of Wave. By acceptance the recipient agrees to these conditions.	



## Section 5. Installing the Components

**Fitting WBSLS, WBSLLite, WBSL2010 & WBSL2020. See Fig. 1, 2, 3 & 4.**

### CAUTION

It is advisable to use two hose clamps on hose tails, so each connection is double clamped.

### NOTE

Refer to Whale Water Systems Catalogue for further information if required.

whalepumps.com

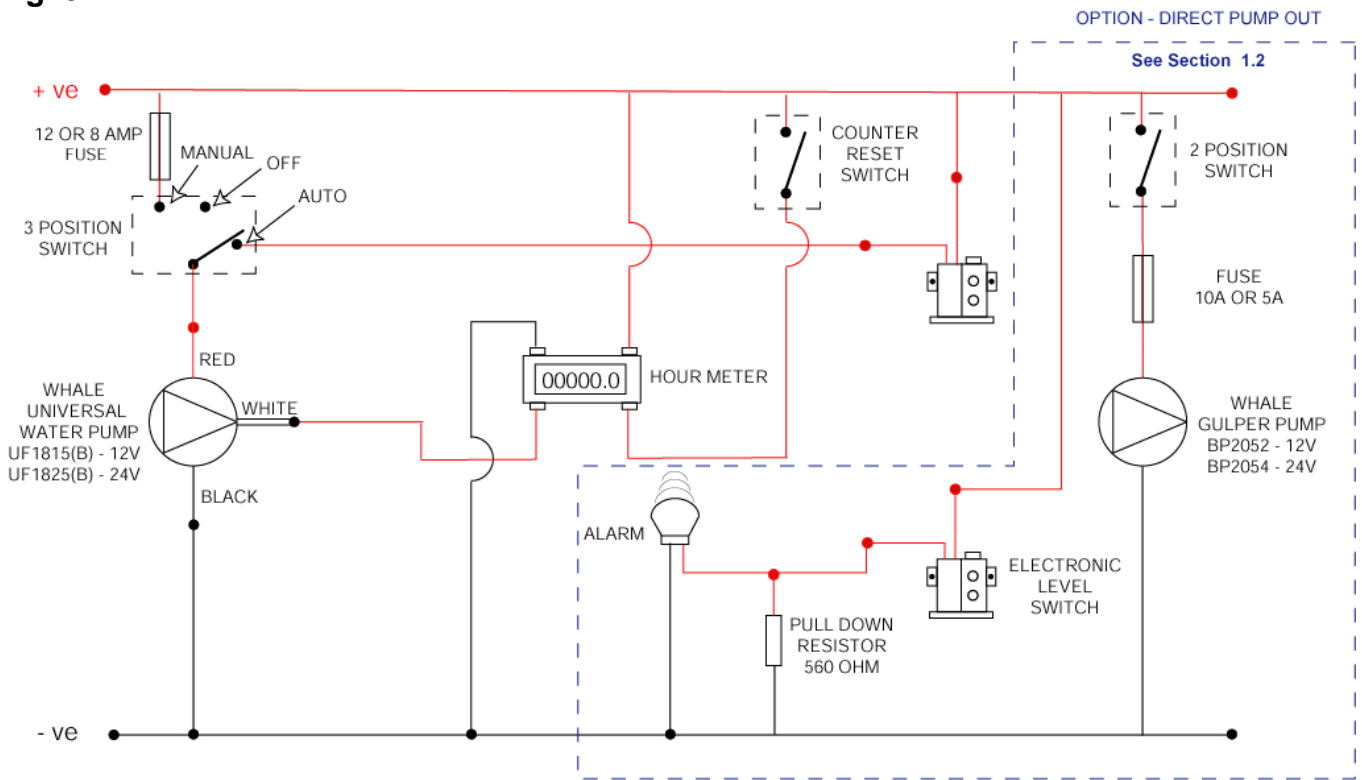
### WARNING

Electrical connections are required and to be carried out by and checked by a qualified marine electrical installer.

- Locate a suitable position, refer to Section 1.4 and Fig.1, 2, 3 & 4, Note the Wavebrite™ Slimline Systems are modular and each component can be fitted remotely. Fix the mounting brackets and saddle clamps. The FILTER/STRAINER 1 will require the most attention and should be installed where it can be easily monitored visually and can be accessed with ease.
- Attach the filter housings to the mounting brackets using the screws provided; ensuring the flow direction is correct; there are arrows on the top filter housings and on the WHALE UNIVERSAL WATER PUMP. The arrows must point in the direction of flow from the WHALE GREY WASTE WATER SUMP towards the WAVEBRITE™ SLIMLINE FILTER MODULE.
- Connect from the exit of Filter Strainer 1 to the pump and all the filters to the WAVEBRITE™ SLIMLINE FILTER MODULE with the 15mm hose supplied, quick connect fittings are supplied. See the Whale Pipe Fitting Guide supplied in the information pack.
- The WHALE GREY WASTER WATER SUMP (not supplied with model WBSLLite) should be located so the head to the pump is no more than 1000mm and the required pipe connections must be pre-drilled. The grey water supply, such as from showers and basins are to go to the top connections, no hose or hose clips are supplied for this. Connect from the lower 25mm connection to the Filter Strainer 1 using the 25mm flexible braided hose, 2 no. hose clips should be used on each end, these are supplied. Galley waste water should be directed to the black water system due to the food waste content and if directed to the Wavebrite system it may significantly reduce cartridge life. A filter/strainer (not supplied) could be installed under sink to help prevent galley waste going to the WHALE GREY WASTE WATER SUMP and the Wavebrite system if required.
- The WBSLLite is supplied with the IC Manifold which has 2 inlet connections, the IC Manifold senses flow from source and controls the pump. When using only one, a hose should be connected to the obsolete connection that rises vertically for at least twice the height of the IC Manifold and is secured this ensures waste water passes through the lower discharge outlet to Filter 1.
- It is required to have enough space below the filter units (25mm) to remove the filter bowls when changing cartridges check the system specifications at Section 4 above.
- Install the Tees and pressure gauges using thread tape.
- Make the electrical connections to the pump, hour meter and WHALE GREY WASTER WATER SUMP as per the instructions supplied with the electrical components and to required safety standards. Locate the hour meter in a panel or an appropriate position. All electrical connections to be carried out by and checked by a qualified marine electrical installer. **See section 5.1 Fig 5. & Fig 6 for the WBSLLite.**

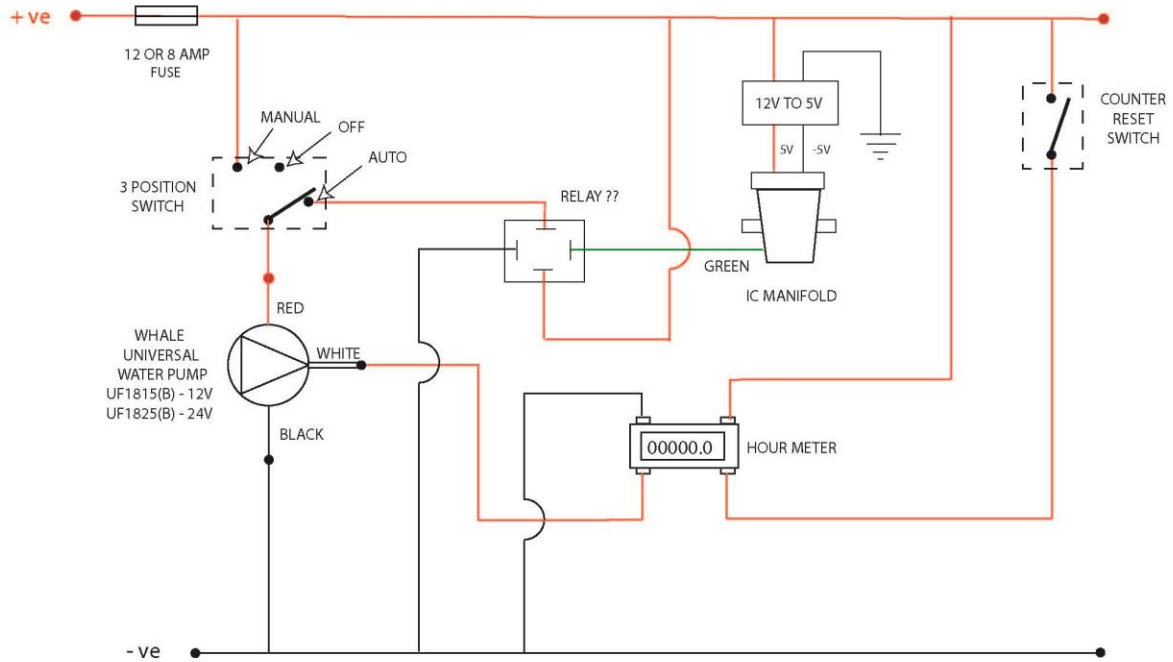
### 5.1 Wiring Diagram WBSLS / WBSL2010 / WBSL2020

Fig. 5.



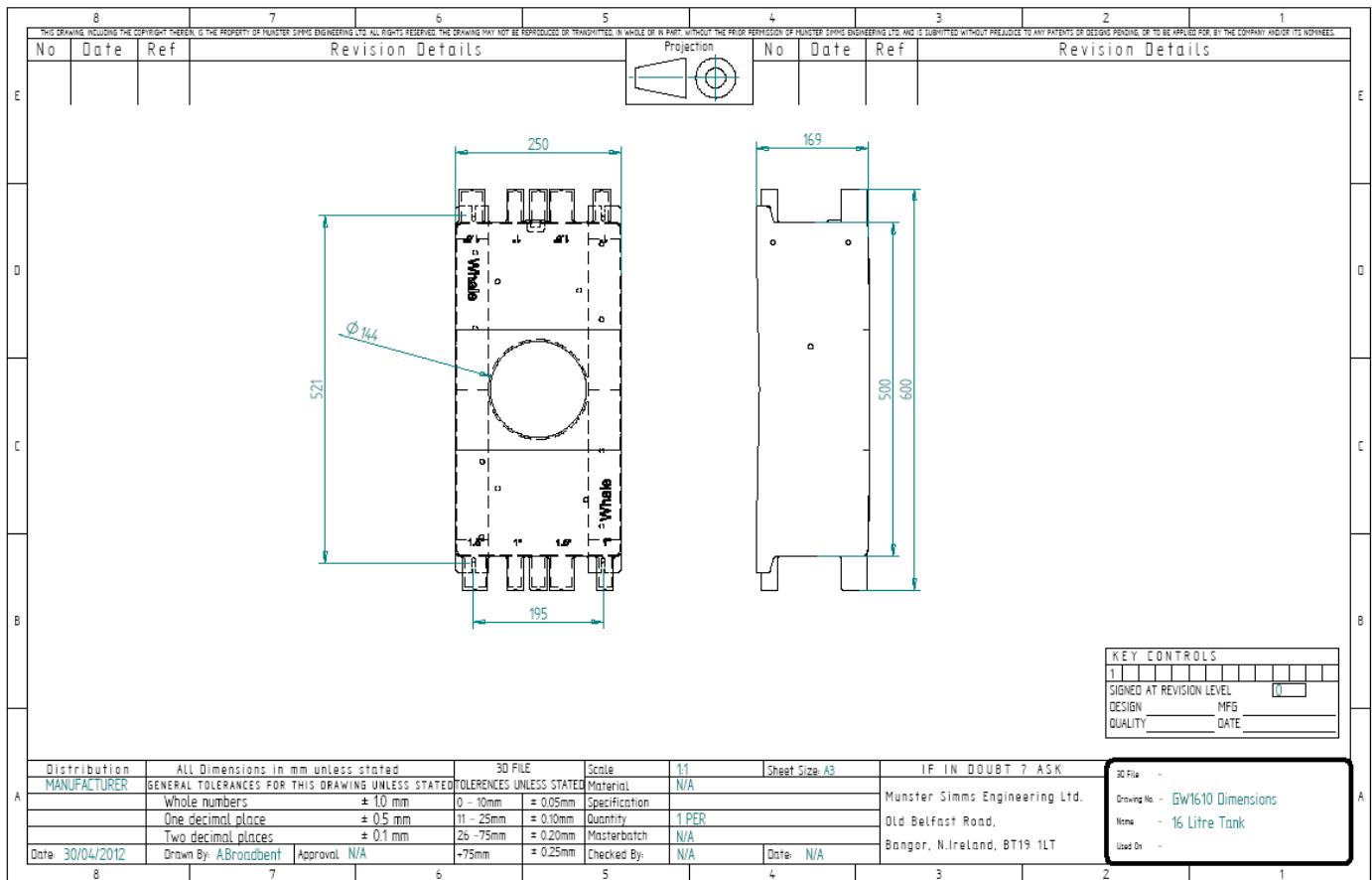
## 5.2 Wiring Diagram WBSLite

Fig. 6.



### 5.3 Drawing WHALE GREY WASTE WATER SUMP 16L

Fig. 7.



## Section 6. Cartridge Replacement

### WARNING

Before replacing the cartridges ensure the pump is switched off and there is no pressure in the system.

### CAUTION

When replacing the filter bowls hand tighten only

### WARNING

Place saturated cartridges/module in a suitable receptacle for responsible onward disposal

**IMPORTANT.** Before replacing the cartridges ensure the pump is switched off and there is no pressure in the system.

- **FILTER/STRAINER 1 (100 MICRON) screen or bag requires cleaning/changing periodically and should be part of a regular maintenance schedule.** If the strainer becomes blocked pump performance will be significantly reduced and cause the flow in the complete system to stop.
- **The filter cartridges in FILTER 2 (5 MICRON) and the filter cartridge in FILTER 3 (0.5 or 1 MICRON) requires changing when the differential pressure between gauges PG2 & PG3 reaches 2 bar during pumping.**
- When replacing the filter bowls hand tighten only.
- Ensure the pump is switched off.
- Unscrew the filter bowl and pour the excess water remaining in the bowl back in to the grey or black water system. Plastic spanners can be supplied and should only be used to remove the filter bowls they should be replaced by hand and only hand tight.
- **The WAVEBRITE™ SLIMLINE FILTER MODULE requires changing after 20 hours of operation.** The complete module is replaced, disconnect all fittings, remove and replace with a new Wavebrite™ Slimline Filter Module.
- Remove the saturated cartridges and module placing them in a suitable receptacle for onward disposal.
- Check the filter housing 'O' rings are in good condition.
- Turn on the pump by running water into the grey water system and bleed any air from the filter housings using the bleed button, check for any leaks.

## Section 7. Functional Checks

### 7.1 Installation Check

- Ensure hose clips securing the flexible hose are fully tightened.
- All connections must be tight.
- Electrical connection to be checked by a qualified marine electrical installer.
- Make sure any other components you disturbed or removed during the fitting process have been refitted correctly.

### 7.2 With Pump Running Check

- If fitted check the pump discharge valve is OPEN.
- Pump is controlled by the float switch in the WHALE GREY WASTE WATER SUMP, run water through the system and check for leaks.

### 7.3 Operational / Maintenance Check

- **IMPORTANT.** Before opening filter housings ensure the pump is switched off and there is no pressure in the system.
- Apart from making cartridge changes as described in **Section 6.** make cartridge replacements part of a regular maintenance programme at the end of the season or after periods of heavy use.
- Galley sink waste should be directed to the black water system due to the food waste content, if directed to the Wavebrite™ Slimline system it may significantly reduce cartridge life and filter checks must be made more frequently.
- The level sensor in the WHALE GREY WASTER WATER SUMP should be wiped clean at least after every 3 months of use.

### WARNING

Check the filters and pressure gauges regularly. Debris in the water can affect the performance of the system.

### DANGER

Before opening filter housings ensure the pump is switched off and there is no pressure in the system



## Section 8. Code of Practice

### Some points to remember

- Make sure all grey water lines and connections are in good order and are not leaking.
- Regularly check filter gauge pressure during operation.
- Where possible prevent particulate or fibrous materials from entering the grey water system.
- If the additional by-pass pump is fitted ensure direct pump out from the WHALE GREY WASTER WATER SUMP is permitted and reinstate the Wavebrite Slimline System as soon as possible.
- Take ashore in proper containers any Wavebrite™ Slimline system cartridges to be disposed of at approved facilities at marinas, lock stations or local authority waste disposal sites.
- As far as possible, use biodegradable detergents, soaps and cleaning materials.

Wave International Limited  
Axholme House  
Newton Way  
Colsterworth  
Grantham NG33 5NP  
UK

Your local agent is:

tel.: +44 1476 861717  
email: [info@waveinternational.co.uk](mailto:info@waveinternational.co.uk)  
[www.waveinternational.co.uk](http://www.waveinternational.co.uk)

Wavebrite™ is a Wave International Limited Trade Mark

Wave International limited makes no representations or warranties with respect to the contents or use of this manual and specifically disclaims any express or implied warranties of merchantability or fitness for any particular purpose. Further, Wave International Limited reserves the right to revise this publication and make changes to its content, at any time and to make changes to any and all parts of Wave International products without obligation to notify any person or entity of such revisions or changes.